

Small Scale Carbon Capture & Usage



Uses for CO₂ that could be provided locally

Fire Extinguisher refill

Sparklets for Air Guns, Paint Ball Guns, Soda Syphons

Carbonated Drinks

Pressurised drinks delivery systems (beer pumps etc).

Making stronger concrete and cinder blocks

Hydroponics

Increasing yield or faster growth of glasshouse crops

Soil Improvement

Breathing Apparatus

Green Aspects

While most CO₂ uses only store the CO₂ for a short period of time, it would keep a considerable amount out of the atmosphere. Also:-

Save transport fuel usage,

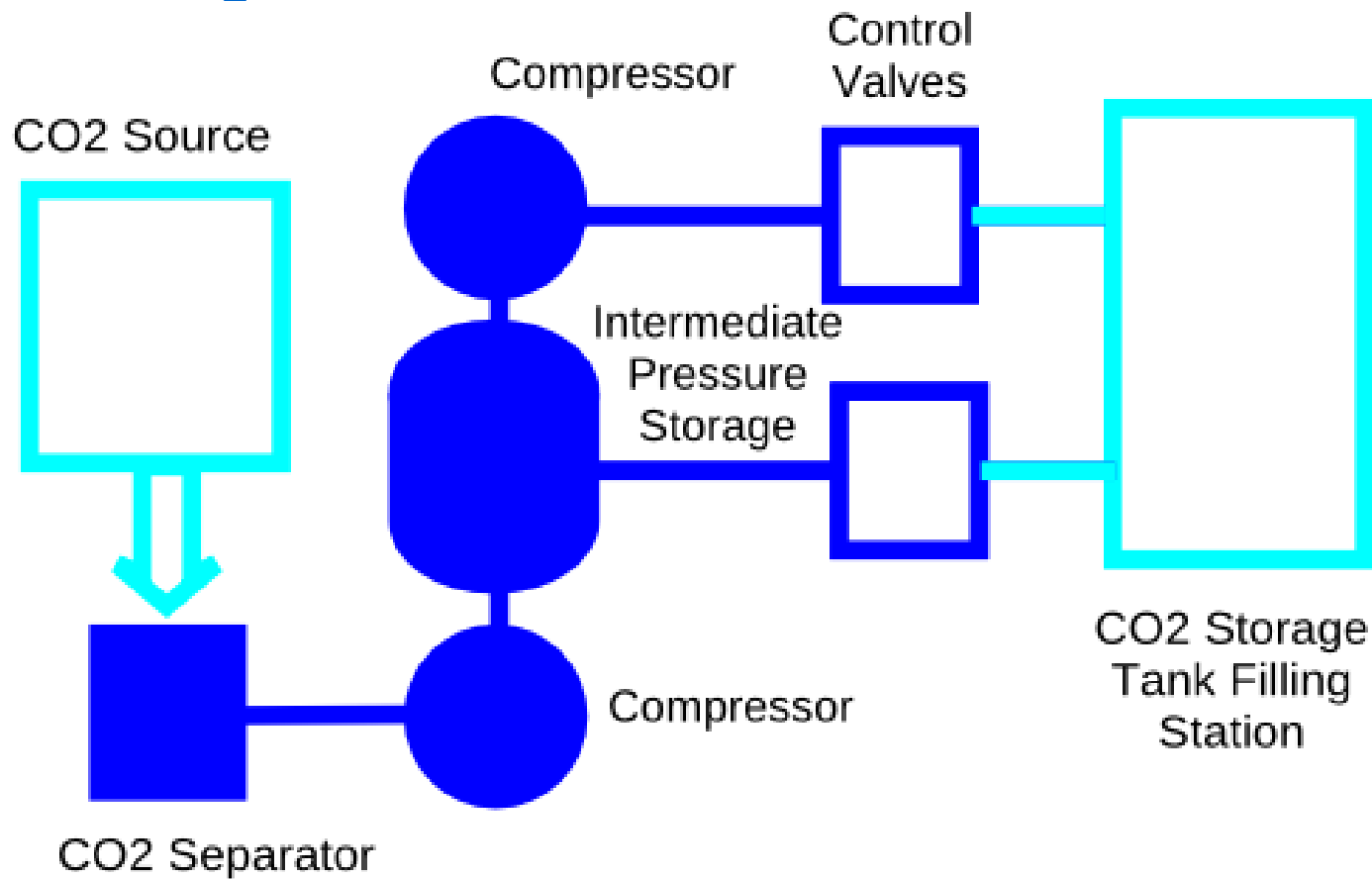
Save the heaving around of heavy storage bottles

Reduce the amount of CO₂ being released from other less green sources.

Some uses, eg cement making and soil enrichments do lock up the CO₂ for a long time.

System Required

The only energy required to implement this system is the energy needed to compress the captured CO₂



CO2 Availability

- CO2 is manufactured which contributes to global warming. There is now available techniques which will economically capture from the air or from places where there are higher concentrations of CO2 such as:-
 - Bio-energy plants (wood burners)
 - Coal/Oil/Gas power plants
 - Bars, restaurant, nightclubs etc.